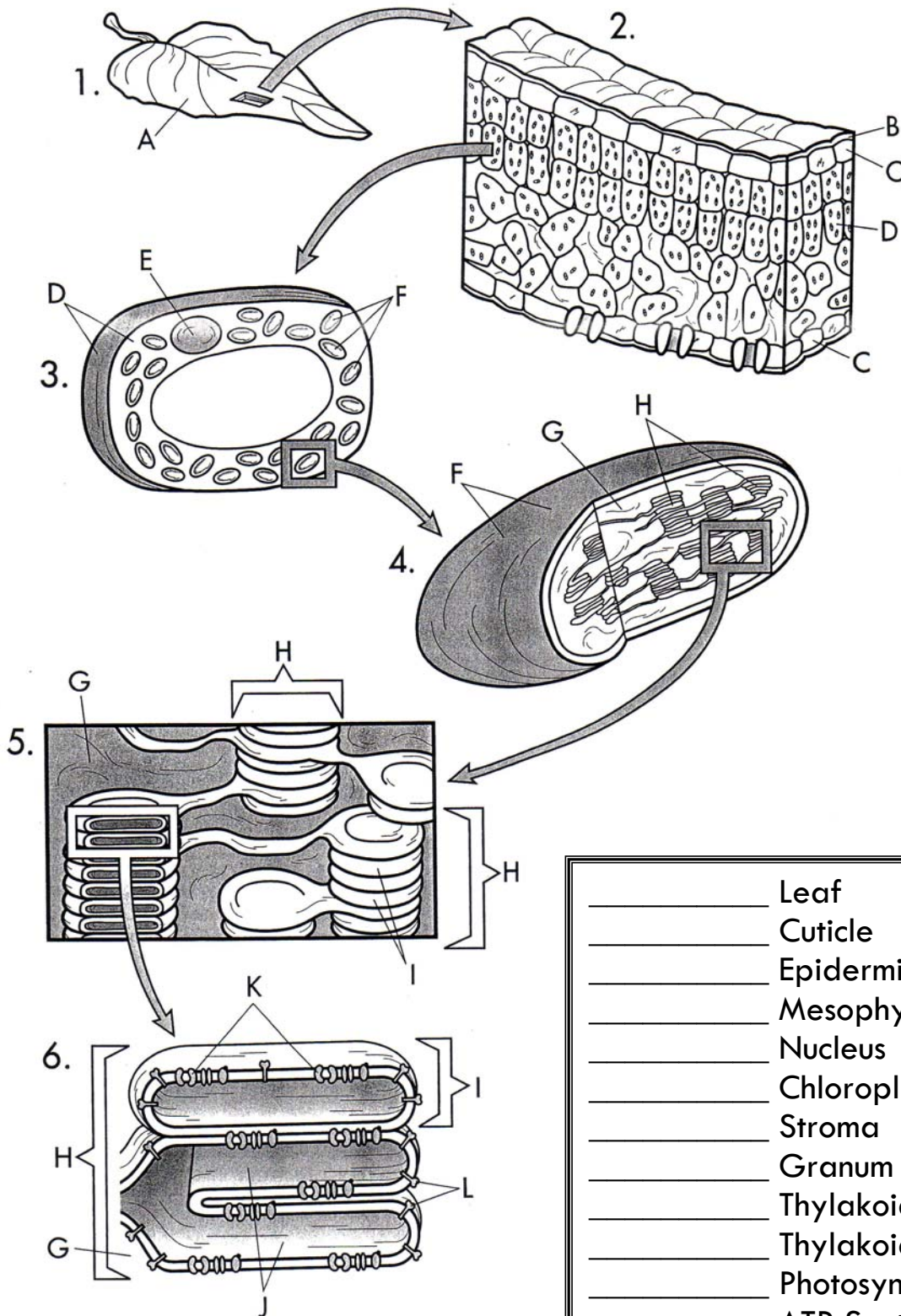


## Photosynthesis Diagrams Worksheet

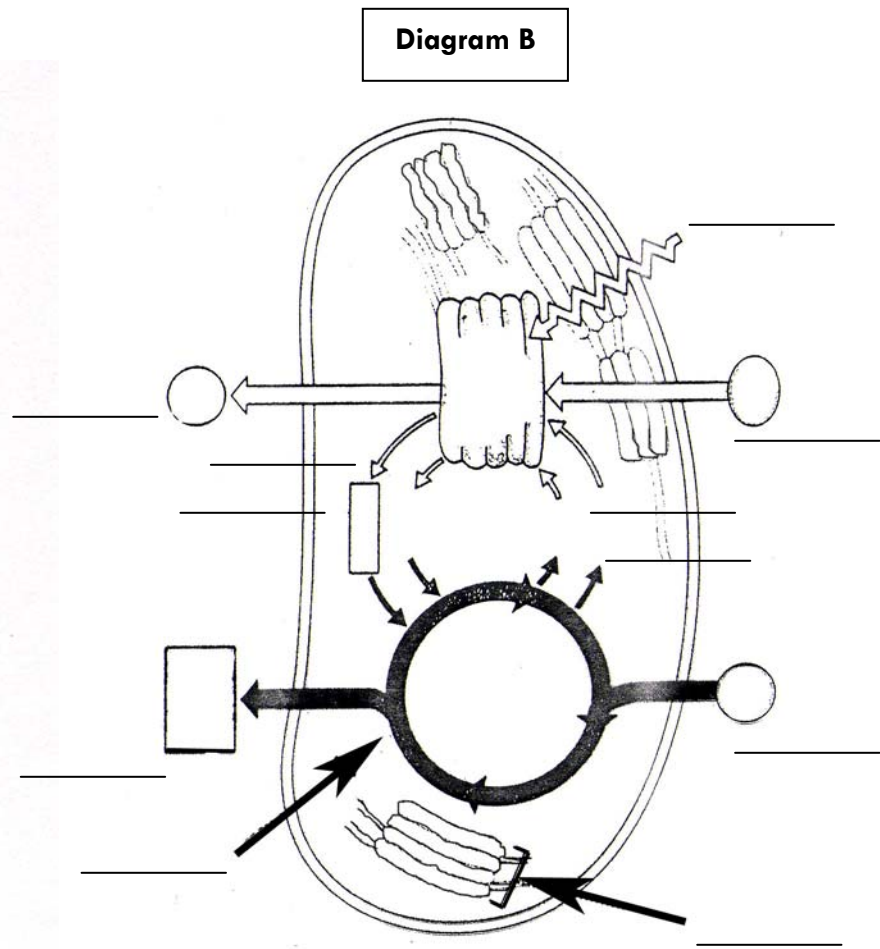
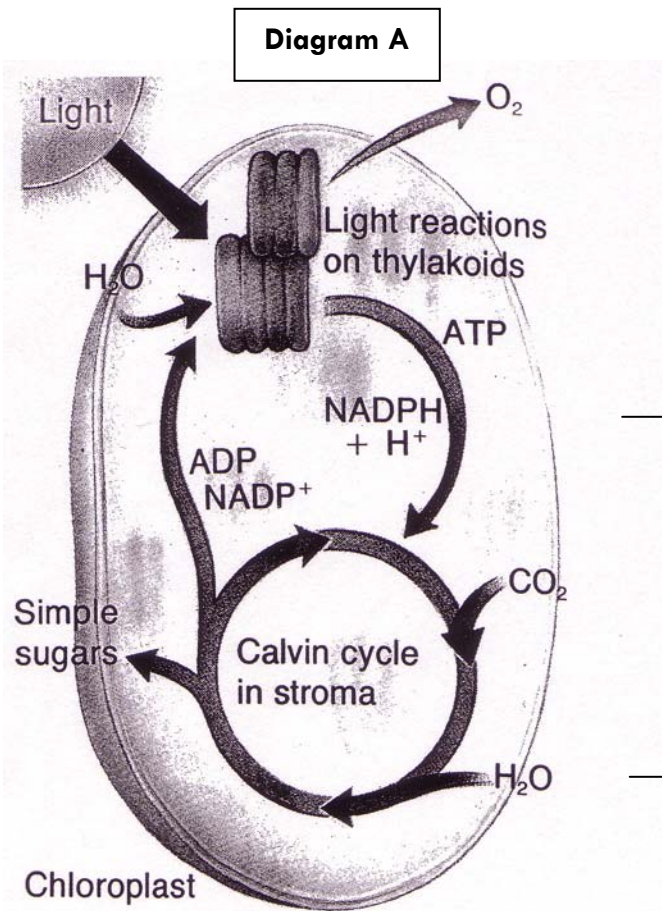
**Part I: In the diagram below, label parts A-L next to the words in the structures of photosynthesis box below.**



Structures of Photosynthesis

- |       |                         |
|-------|-------------------------|
| _____ | Leaf                    |
| _____ | Cuticle                 |
| _____ | Epidermis               |
| _____ | Mesophyll Cells         |
| _____ | Nucleus                 |
| _____ | Chloroplasts            |
| _____ | Stroma                  |
| _____ | Granum                  |
| _____ | Thylakoid               |
| _____ | Thylakoid Space         |
| _____ | Photosynthetic Pigments |
| _____ | ATP Synthetase          |

**Part II: Use Diagram A to help you label Diagram B. Write labels on the lines in Diagram B.**



**Part III: Label numbers 1, 2, and 3 in the diagram below.**

Hint: In number one, you are labeling the reactants for ATP. In number 2, you are labeling the reactants for NADPH. In number 3, you are labeling the source of H and O.

